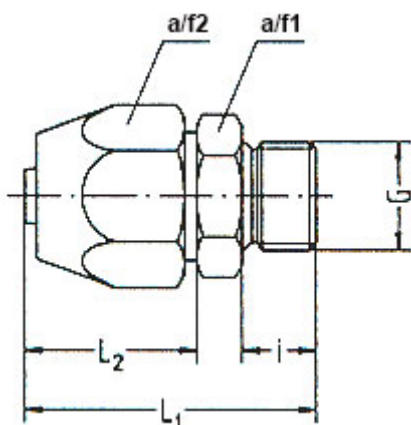


For PVC braided hose.



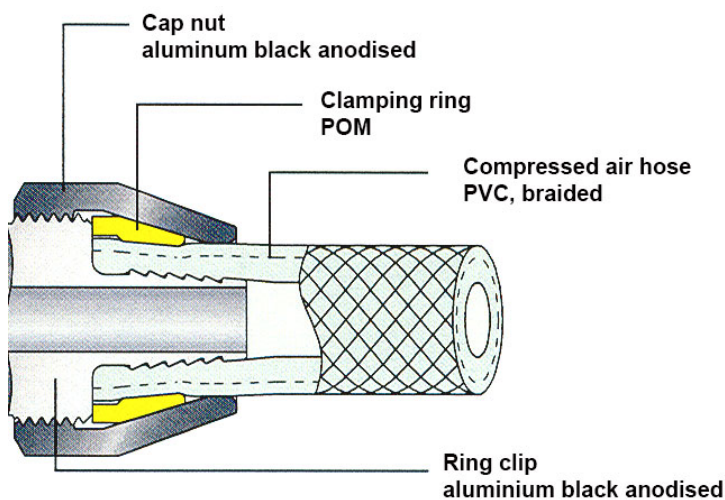
190/64

Male connectors for PVC braided hose, aluminium

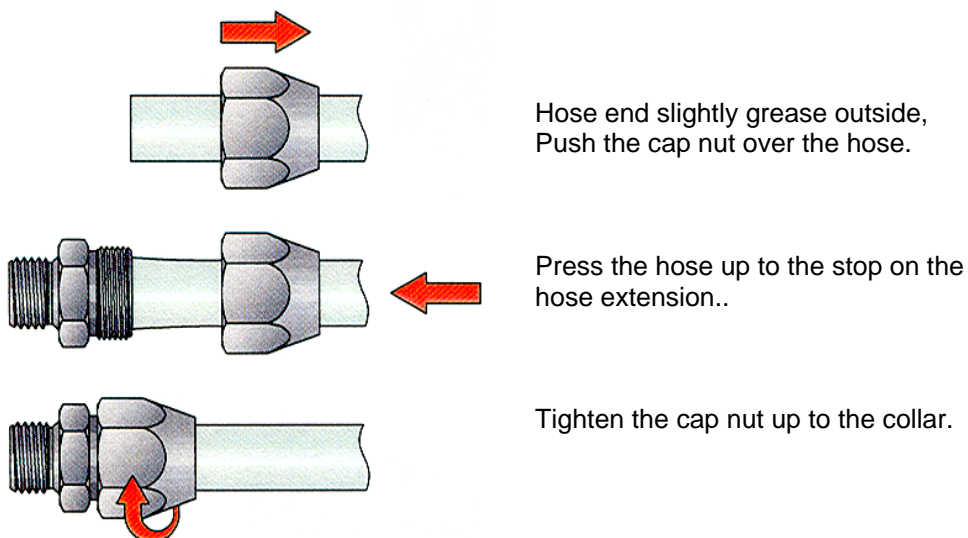
Art. No.	Type No.	Thread	for PVC hose	a/f1 mm	a/f2 mm	l mm	L1 mm	L2 mm	Weight g
113759	190/40	G 1/8	4x10	17	17	6.5	30.5	19.0	12.0
113760	190/41	G 1/8	6x12	17	19	6.5	32.5	20.5	14.0
113761	190/51	G 1/4	4x10	17	17	9.0	33.0	19.0	12.0
113762	190/52	G 1/4	6x12	17	19	9.0	35.0	20.5	14.0
113763	190/53	G 1/4	8x14	22	22	9.0	38.0	23.0	23.0
113764	190/54	G 1/4	9x15	22	24	9.0	38.5	23.5	27.0
113765	190/55	G 1/4	10x16	22	24	9.0	38.5	23.5	27.0
113766	190/61	G 3/8	4x10	19	17	9.0	33.0	19.0	14.0
113767	190/62	G 3/8	6x12	19	19	9.0	35.0	20.5	16.0
113768	190/63	G 3/8	8x14	22	22	9.0	38.0	23.0	23.0
113769	190/64	G 3/8	9x15	22	24	9.0	38.5	23.5	27.0
113770	190/65	G 3/8	10x16	22	24	9.0	38.5	23.5	27.0
113771	190/66	G 3/8	12x21	27	30	9.0	41.0	25.0	45.0
113772	190/67	G 3/8	13x20	27	30	9.0	41.0	25.0	46.0
113773	190/71	G 1/2	4x10	24	17	11.0	36.0	19.0	20.0
113774	190/72	G 1/2	6x12	24	19	11.0	37.5	20.5	22.0
113775	190/73	G 1/2	8x14	24	22	11.0	40.0	23.0	27.0
113776	190/74	G 1/2	9x15	24	24	11.0	40.5	23.5	32.0
113777	190/75	G 1/2	10x16	24	24	11.0	40.5	23.5	31.0
113778	190/76	G 1/2	12x21	27	30	11.0	43.0	25.0	48.0
113779	190/77	G 1/2	13x20	27	30	11.0	43.0	25.0	48.0

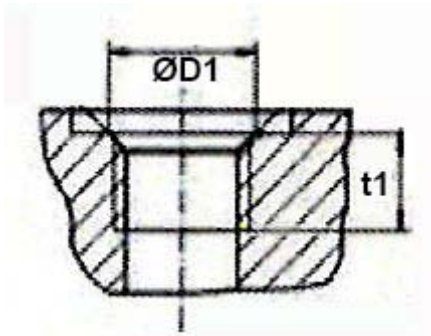
Advantages:

- Quick assembly of compressed air hoses.
- Frequent assembly and disassembly possible.
- No hose clamps required.
- Low weight.
- Robust.
- Suitable for vacuum.



Handling:





Connection thread cylindrical - tightening torques for flat gaskets

Thread	Thread depth	Thread lowering	Torque max.		Standard thread
	t1 min. mm	ØD1 min. mm	Plastic sealing rings Nm	Al-, VS sealing rings Nm	
G 1/8	7.5	11.0	9	11	Pipe thread G: DIN ISO 228
G 1/4	11.0	14.2	18	21	
G 3/8	11.0	17.5	25	28	
G 1/2	12.0	22.0	34	48	